

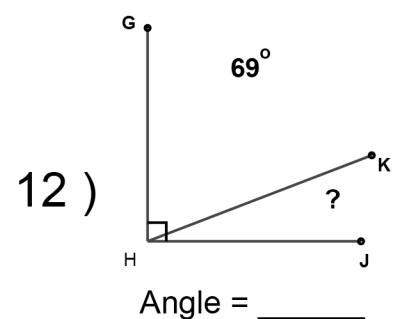
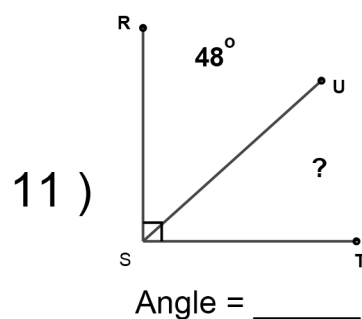
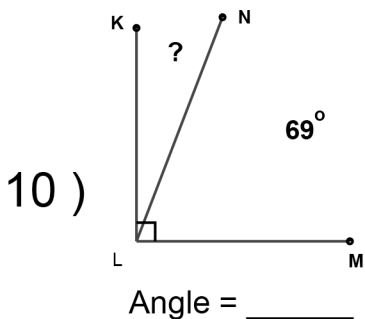
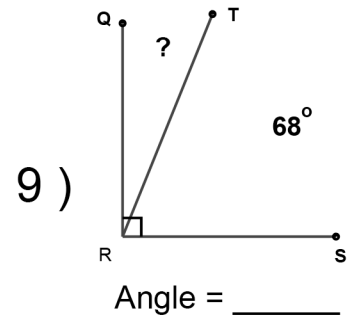
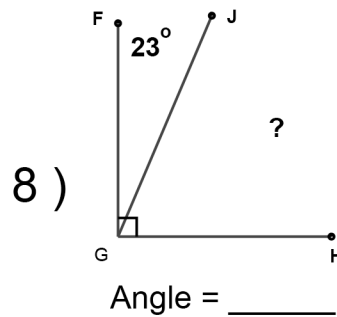
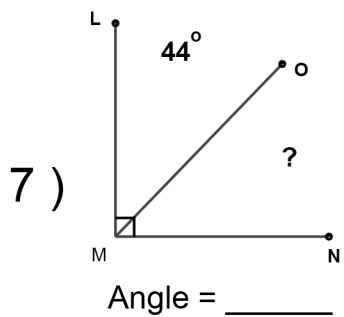
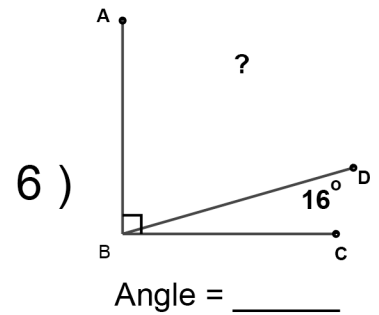
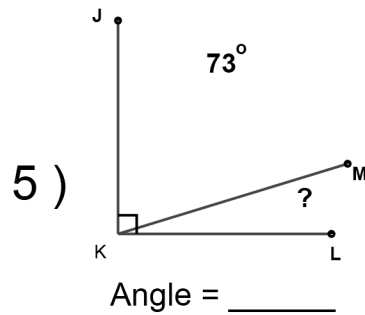
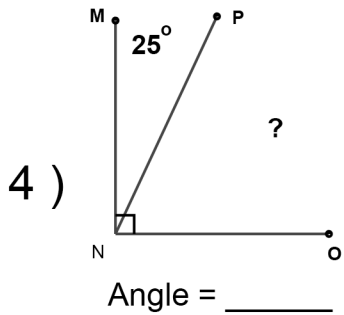
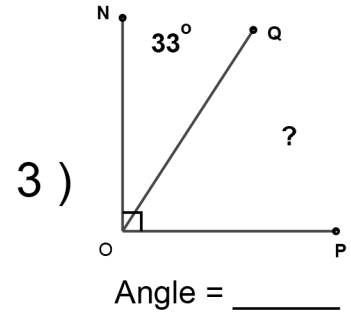
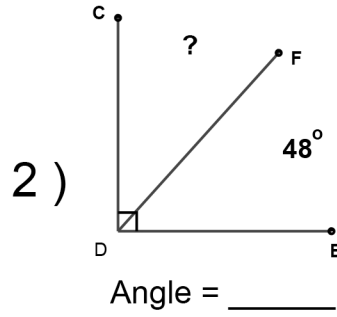
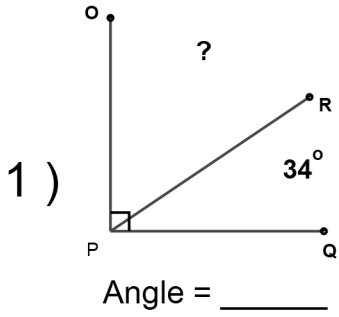
Name : _____

Score : _____

Teacher : _____

Date : _____

Find the missing angle measurement in each set of complementary angles.



Name : _____

Score : _____

Teacher : _____

Date : _____

Find the missing angle measurement in each set of complementary angles.

