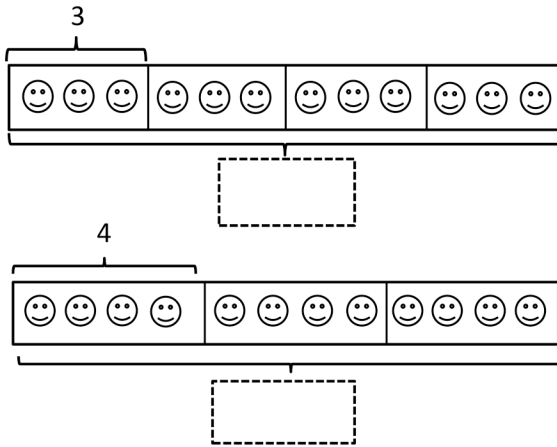


Name \_\_\_\_\_

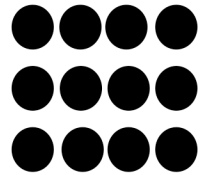
Date \_\_\_\_\_

1. Label the tape diagrams and complete the equations. Then, draw an array to represent the problems.

a.

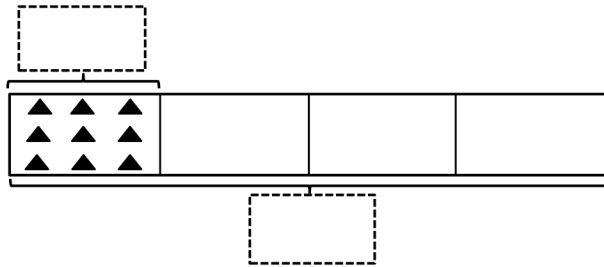


$4 \times 3 = \underline{\quad}$

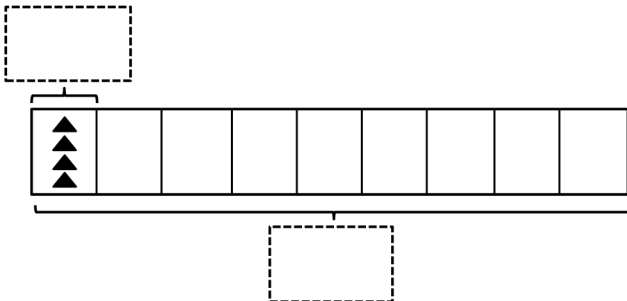


$3 \times 4 = \underline{\quad}$

b.

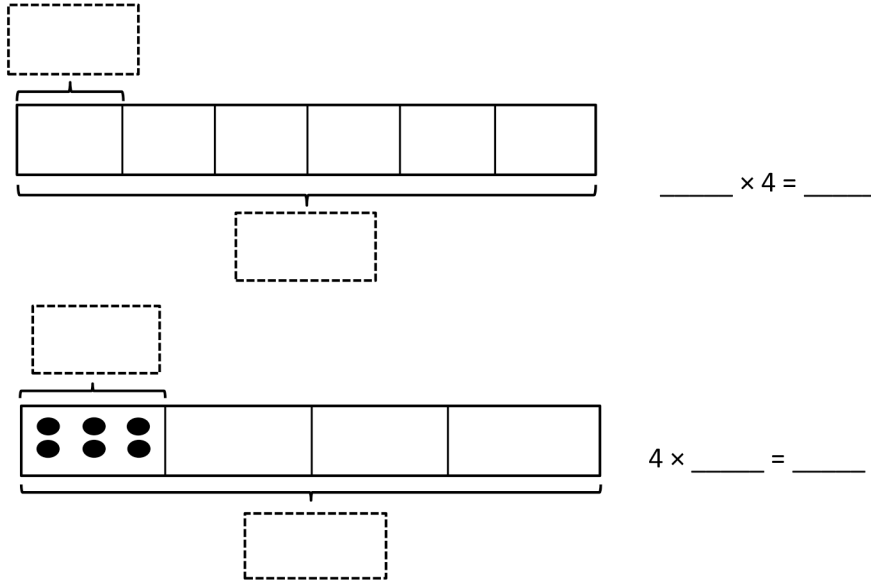


$4 \times \underline{\quad} = \underline{\quad}$



$\underline{\quad} \times 4 = \underline{\quad}$

C.



2. Seven clowns hold 4 balloons each at the fair. Draw and label a tape diagram to show the total number of balloons the clowns hold.

3. George swims 7 laps in the pool each day. How many laps does George swim after 4 days?

## Answer Key

1.
  - a. Top: 12; 12  
Bottom: 12; 12
  - b. Top: 9, 36; 9, 36  
Bottom: 4, 36; 9, 36  
Array showing 9 rows of 4 or 4 rows of 9 drawn
  - c. Top: 4, 24; 6, 24  
Bottom: 6, 24; 6, 24  
Array showing 6 rows of 4 or 4 rows of 6 drawn
2. Tape diagram drawn and labeled to represent 28 balloons
3. 28; tape diagram drawn and labeled to represent problem