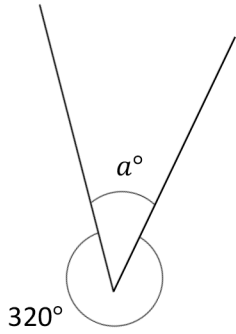


Name \_\_\_\_\_

Date \_\_\_\_\_

Write an equation, and solve for the unknown angle measurements numerically.

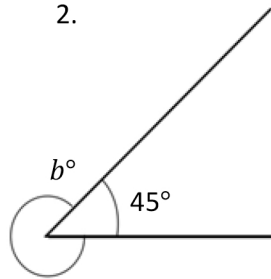
1.



$$\underline{\hspace{1cm}}^\circ + 320^\circ = 360^\circ$$

$$a^\circ = \underline{\hspace{1cm}}^\circ$$

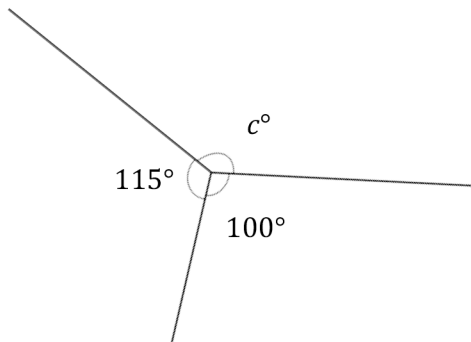
2.



$$\underline{\hspace{1cm}}^\circ + \underline{\hspace{1cm}}^\circ = 360^\circ$$

$$b^\circ = \underline{\hspace{1cm}}^\circ$$

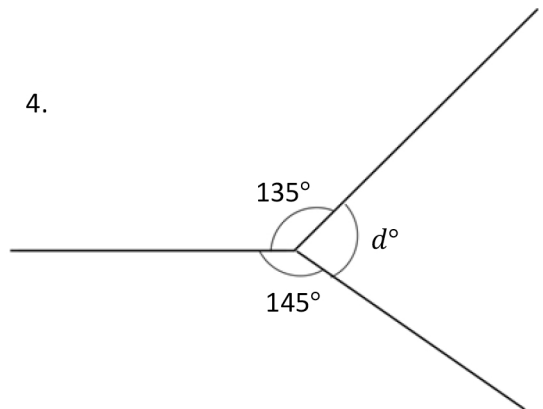
3.



$$\underline{\hspace{1cm}}^\circ + \underline{\hspace{1cm}}^\circ + \underline{\hspace{1cm}}^\circ = \underline{\hspace{1cm}}^\circ$$

$$c^\circ = \underline{\hspace{1cm}}^\circ$$

4.



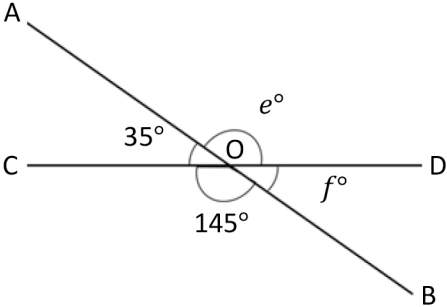
$$\underline{\hspace{1cm}}^\circ + \underline{\hspace{1cm}}^\circ + \underline{\hspace{1cm}}^\circ = \underline{\hspace{1cm}}^\circ$$

$$d^\circ = \underline{\hspace{1cm}}^\circ$$

Write an equation and solve for the unknown angles numerically.

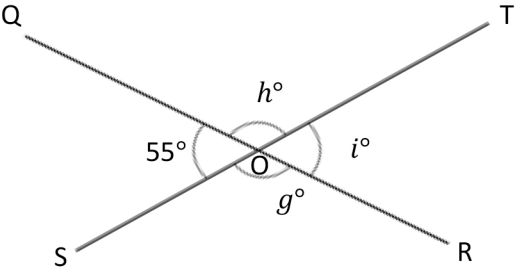
5.  $O$  is the intersection of  $\overline{AB}$  and  $\overline{CD}$ .  
 $\angle COB$  is  $145^\circ$  and  $\angle AOC$  is  $35^\circ$ .

$e^\circ = \underline{\hspace{2cm}}$      $f^\circ = \underline{\hspace{2cm}}$



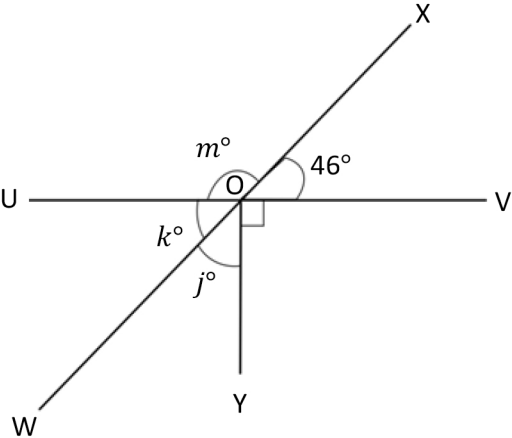
6.  $O$  is the intersection of  $\overline{QR}$  and  $\overline{ST}$ .  
 $\angle QOS$  is  $55^\circ$ .

$g^\circ = \underline{\hspace{2cm}}$      $h^\circ = \underline{\hspace{2cm}}$      $i^\circ = \underline{\hspace{2cm}}$



7.  $O$  is the intersection of  $\overline{UV}$ ,  $\overline{WX}$ , and  $\overline{YO}$ .  
 $\angle VOX$  is  $46^\circ$ .

$j^\circ = \underline{\hspace{2cm}}$      $k^\circ = \underline{\hspace{2cm}}$      $m^\circ = \underline{\hspace{2cm}}$



## Answer Key

1. 40; 40
2. 45, 315; 315
3. 115, 100, 145, 360; 145
4.  $135^\circ$ ,  $145^\circ$ ,  $80^\circ$ ,  $360^\circ$ ;  $80^\circ$
5. Equations will vary;  $145^\circ$ ;  $35^\circ$
6. Equations will vary;  $125^\circ$ ;  $125^\circ$ ;  $55^\circ$
7. Equations will vary;  $44^\circ$ ;  $46^\circ$ ;  $134^\circ$