

Name \_\_\_\_\_

Date \_\_\_\_\_

1. Find the area of the following rectangles. Draw an area model if it helps you.

a.  $\frac{8}{3} \text{ cm} \times \frac{24}{4} \text{ cm}$

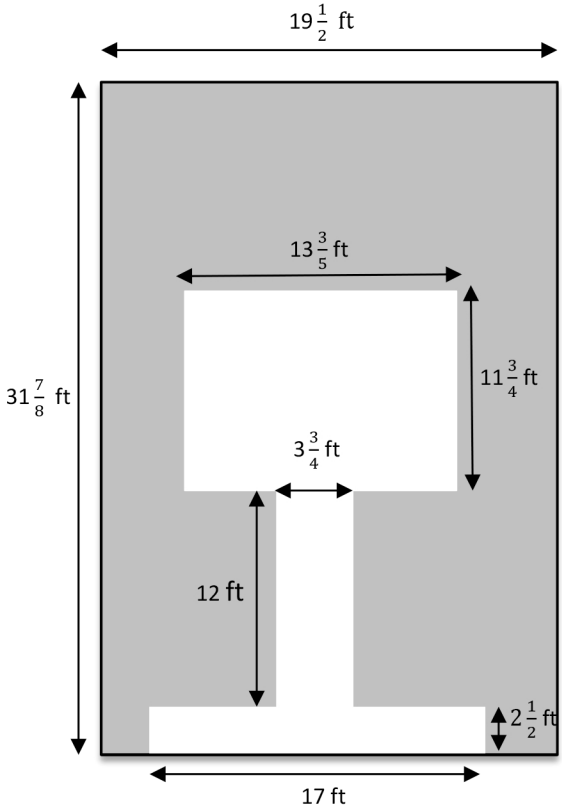
b.  $\frac{32}{5} \text{ ft} \times 3\frac{3}{8} \text{ ft}$

c.  $5\frac{4}{6} \text{ in} \times 4\frac{3}{5} \text{ in}$

d.  $\frac{5}{7} \text{ m} \times 6\frac{3}{5} \text{ m}$

2. Chris is making a table top from some leftover tiles. He has 9 tiles that measure  $3\frac{1}{8}$  inches long and  $2\frac{3}{4}$  inches wide. What is the area he can cover with these tiles?

3. A hotel is recarpeting a section of the lobby. Carpet covers the part of the floor as shown below in gray. How many square feet of carpeting will be needed?



## Answer Key

1.
  - a.  $16 \text{ cm}^2$
  - b.  $21\frac{3}{5} \text{ ft}^2$
  - c.  $26\frac{1}{15} \text{ in}^2$
  - d.  $4\frac{5}{7} \text{ m}^2$
2.  $77\frac{11}{32} \text{ in}^2$
3.  $374\frac{21}{80} \text{ ft}^2$